



High-Pressure Fluid Filters

Single and dual fluid filters designed to prevent nozzle clogging for paint and other fluid spray operations.

Nordson high-pressure fluid filters are designed for use in paint spray and other fluid delivery applications to prevent nozzle clogging. Nordson filters are available in both single and dual versions, all of stainless steel construction, to meet specific customer requirements.

All Nordson high-pressure fluid filters use reinforced screens to ensure longer service life and extend operating times between cleanings. Nordson fluid filters are shipped with .006" reinforced screens. A wide range of optional screens are available to accommodate changing production situations.

Nordson dual fluid filters permit cleaning of one side of the filter while the other side remains operational. This allows for uninterrupted operation during routine maintenance. Dual filters are offered with either check valves or 3-way ball valves.

Nordson fluid filter bases feature two inlet and one outlet port, all 3/8" NPT. The extra inlet port provides flexibility in making the connection to the coating material supply. The housings in all Nordson fluid filters attach to the bottom of the filter base, minimizing coating material spillage during routine maintenance.

All Nordson-high pressure fluid filters feature drains to ensure fast and easy cleaning. Two drain options are offered for the single filters: the standard ball valve, or the lower cost plug drain. Dual filters are equipped with ball valves for drainage.



Single fluid filters are offered with two drain options: plug drain (left) or standard ball valve (right).

Features and Benefits

- **Dual filter design** – facilitates cleaning of one side of the filter without interrupting operation, reducing downtime.
- **Reinforced screens** – ensure longer life and extend time between cleanings. Optional screens are available for changing application requirements.
- **Stainless steel construction** – compatibility with all coating materials assured.
- **Drain valves** – reduce routine maintenance time.
- **Dual inlet ports** – give flexibility for connection to the coating material supply.
- **Housing mounts to underside of filter base** – reduces spillage during maintenance.

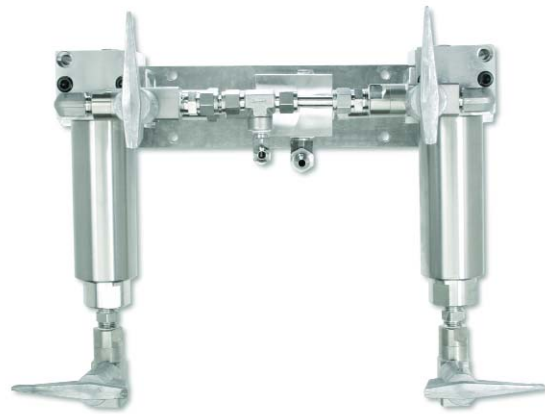
High-Pressure Fluid Filters

Specifications

	SINGLE WITH PLUG DRAIN	SINGLE WITH BALL VALVE	DUAL WITH CHECK VALVE	DUAL WITH 3-WAY VALVE
Operating Pressure (maximum)	3000 PSI (207 bar)	3000 PSI (207 bar)	3000 PSI (207 bar)	3000 PSI (207 bar)
Overall Height	10.6 in (269.2 mm)	13.2 in (335.3 mm)	14.0 in (355.6 mm)	16.7 in (424.2 mm)
Base Width	2.5 in (63.5 mm)	2.5 in (63.5 mm)	3 in (76.2 mm)	4 in (101.6 mm)
Base Length	2.5 in (63.5 mm)	2.5 in (63.5 mm)	14.5 in (368.3 mm)	7 in (177.8 mm)
Input/Output Fittings	½ - 20 JIC	½ - 20 JIC	½ - 20 JIC	½ - 20 JIC
Reinforced Screen Mesh Sizes	.002 - .020 in	.002 - .020 in	.002 - .020 in	.002 - .020 in



Dual fluid filter with 3-way ball valves



Dual fluid filter with check valves

Nordson reserves the right to make design changes to products to improve their function. These changes may occur between printings.

For more information, talk with your Nordson representative or contact your Nordson regional headquarters office.

United States

Amherst, Ohio
 Telephone: 800.955.9563
 Facsimile: 440.985.1536
 Web: www.nordson.com/liquid
 Email: liquidmarketing@nordson.com

www.nordson.com

Canada

Markham, Ontario
 Telephone: 800.463.3200
 905.475.6730
 Facsimile: 905.475.8821

www.nordson.ca

Europe

Erkrath, Germany
 Telephone: 49.211.9205.0
 Facsimile: 49.211.254658
 Email: info@de.nordson.com

Japan

Tokyo, Japan
 Telephone: 81.3.5762.2700
 Facsimile: 81.3.5762.2701
 Email: ppa.dm@nordson.co.jp

www.nordson.co.jp

Asia/Australia/Latin America

Amherst, Ohio
 Telephone: 440.985.4000
 Facsimile: 440.985.3710
 24-hour message service:
 440.985.4797

Email: intcustomerservice@nordson.com

